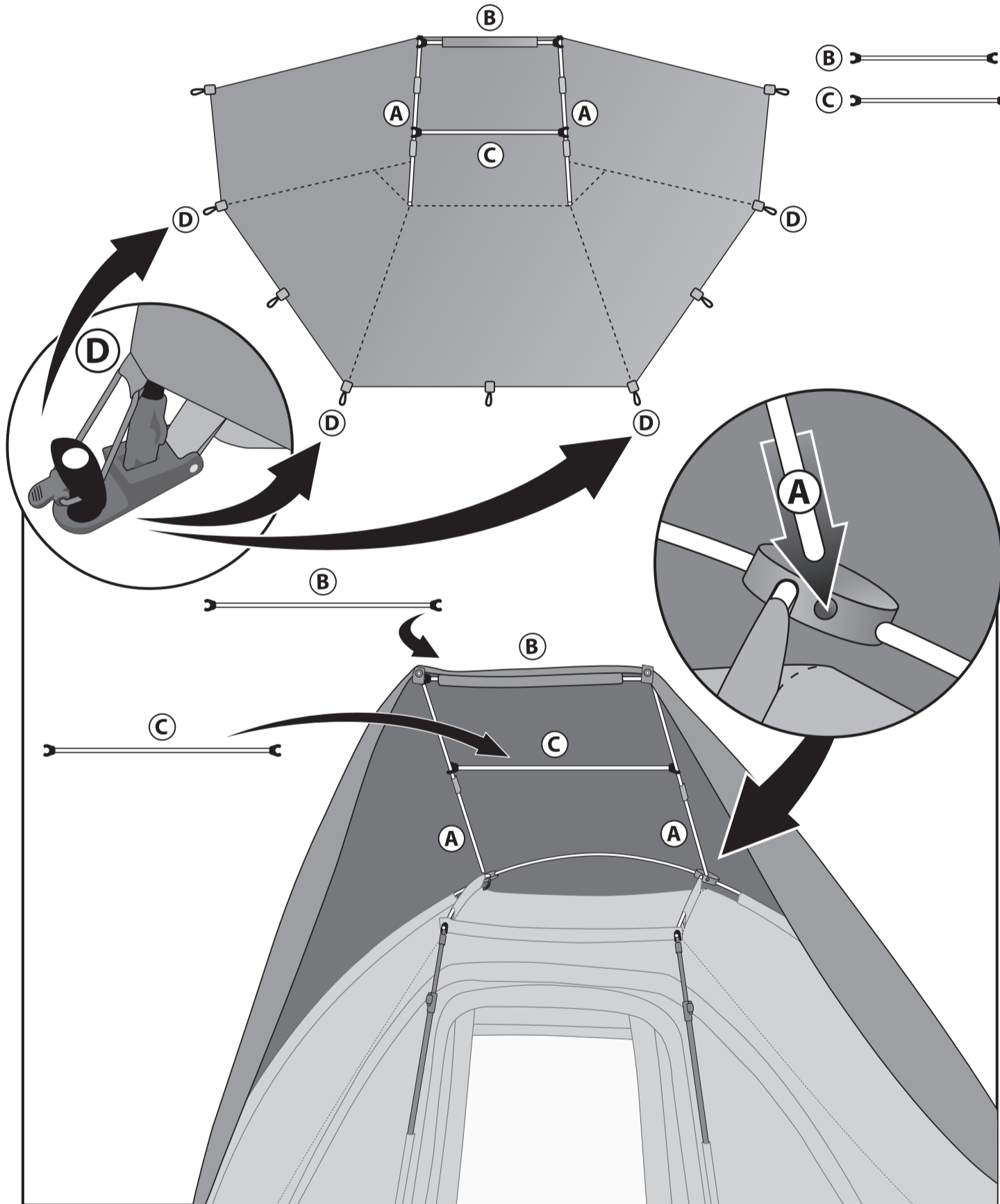


**FOX**

# EVO BIVVY FX SKIN

Ⓚ Instructions   Ⓝ Gebruiks Voorschrift   ⓘ Istruzioni per l'uso  
ⓕ Instructions   ⓘ Betriebsanleitung



For more information visit: [WWW.FOXINT.COM](http://WWW.FOXINT.COM)

Designed & Developed in the UK, FOX is a Registered Trade Mark.